



# Eswood

# Professional

# Warewasher

**ES50**

Professional Warewasher



# Eswood

## Heavy Duty Pass-Through Recirculating Warewasher

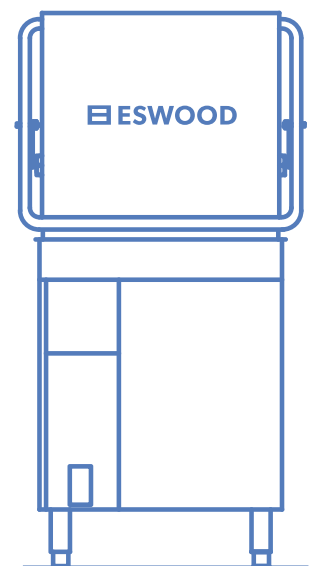
The Eswood ES50 warewasher offer outstanding continuous performance within compact dimensions to satisfy the needs of today's commercial kitchens.

ES50 come with independent upper and lower spray arms for both the wash and rinse systems.

All new digital wash & rinse temperature displays for easy temperature recording in controlled environments.

Detergent and rinse aid pump fitted as standard.

ES50 conforms to the highest of health and sanitary standards, meeting FSANZ safe food codes and certifications in HACCP and WaterMark.





---

Counter-balanced lift-up hood with ergonomically designed wrap around handle

---

Durable stainless-steel body construction and wash arms

---

Automatic fill to wash and rinse tanks

---

Digital wash & rinse temperature controllers & displays

---

1000-Watt wash pump

---

3 Wash programs to match degree of soil

---

---

Detergent and rinse aid pump as standard

---

Suitable for corner or inline installation

---

Easily removable spray arms and filters

---

7200-Watt rinse water temperature booster

---

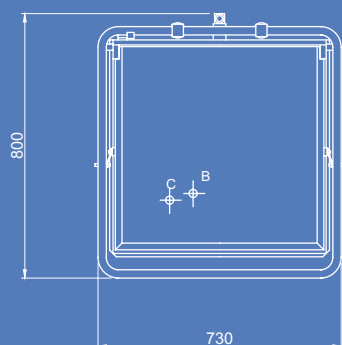
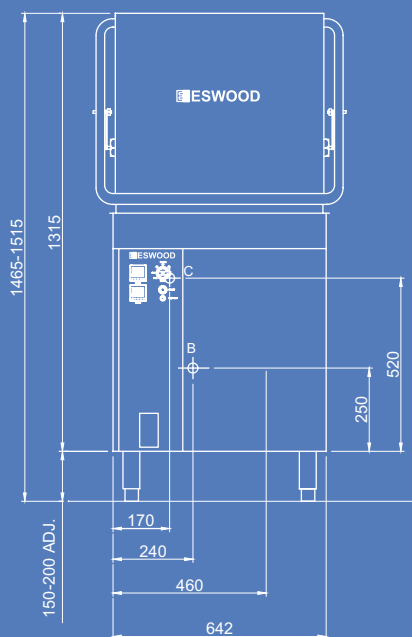
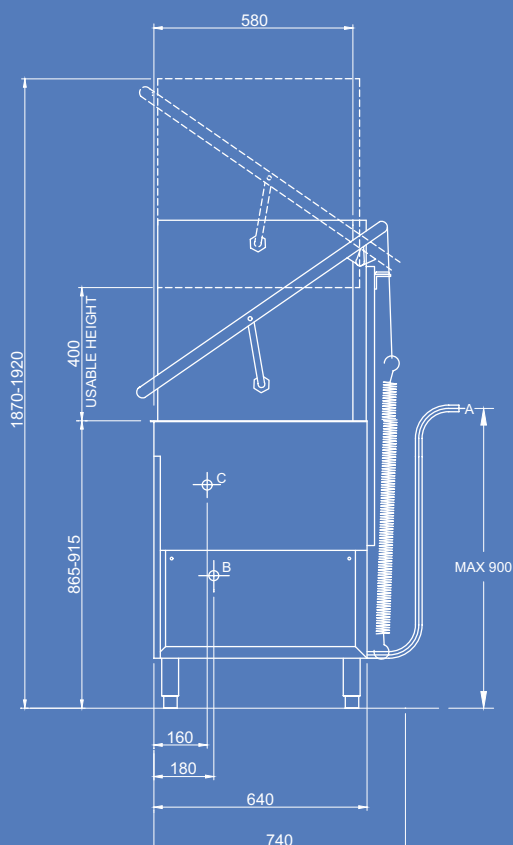
Operation interlocked to rinse temperature

---

Machine starts upon closure of hood or start button

---

- A. Drain Connection Ø22mm x 1.8m drain hose  
 B. Hot Water Connection 1/2" BSPF 65°C min. at 100–400kPa (15–58psi)  
 C. Electrical Connection 415V/50Hz/3Ph+N+E



# ES50

## Heavy Duty Pass-Through Recirculating Warewasher

Includes: 2 x plate rack, 1 x cup rack,  
1 x cutlery container

### ES50 Specifications

<b>DIMENSIONS (WxDxH)</b>	645 x 645 x 1490 mm
<b>HEIGHT WITH DOOR OPEN</b>	1895 mm
<b>RACK SIZE (WxD)</b>	500 x 500 mm
<b>WEIGHT</b>	112 kg
<b>ELECTRIC CONNECTION</b>	3 Phase - 415V + N + E
<b>RATING</b>	10.3 kW
<b>WATER SUPPLY</b>	60°C / 1-4 bar (15-58 psi)
<b>PACKED</b>	0.6 m <sup>3</sup>
<b>MEAL SERVICE</b>	120 - 200 pax (50 racks/hr)
<b>WASH CYCLE</b>	60 sec 90 sec 120 sec
<b>WASH AND RINSE PUMP</b>	Fitted
<b>DETERGENT AND RINSE AID PUMP</b>	Fitted
<b>DRAIN PUMP</b>	Optional
<b>WATER CONSUMPTION</b>	4L cycle
<b>TANK CAPACITY</b>	45L
<b>WATERMARK APPROVAL</b>	WM-022833
<b>HACCP APPROVAL</b>	PE-388-GE-09

Dimensions may change without notice in accordance with product development and design

Proudly Distributed By

**eswood.com.au**

211-217 Woodpark Road SMITHFIELD NSW 2164

T: 1800 013 123

E: sales@middleby.com.au