

Hot Water Urns W.URNxx



Product Information:

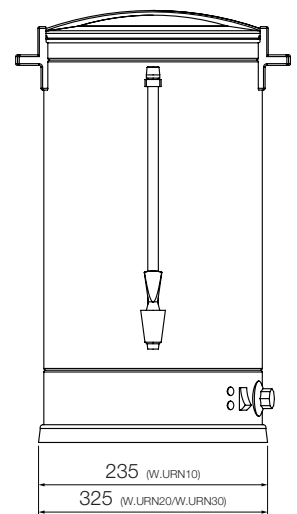
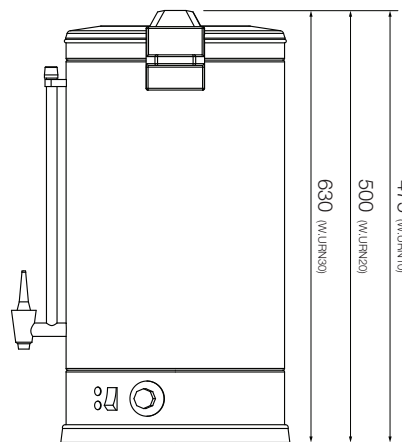
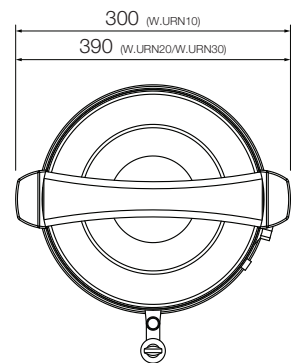
- Quality stainless steel construction in 3 sizes
- Double skinned insulated tank for increased safety
- Available in either brushed stainless or matte black finish
- Sight glass to check water level
- Heat resistant handles with twist-lock lid for added safety
- Thermostat control with indicator lights for heating and ready for use
- Concealed element makes unit easy to clean
- Non-drip tap
- Supplied with 10 Amp plug & lead

Specifications:

Model W.URN10 / W.URN10B
Height 475mm
Diameter 235mm
Power 2.2kW
 10A plug & lead fitted
Capacity 10 Litre

Model W.URN20 / W.URN20B
Height 500mm
Diameter 325mm
Power 2.2kW
 10A plug & lead fitted
Capacity 20 Litre

Model W.URN30 / W.URN30B
Height 630mm
Diameter 325mm
Power 2.2kW
 10A plug & lead fitted
Capacity 30 Litre



Due to continuous product research and development, the information contained herein is subject to change without notice.

Revision: B - 31/08/2020

www.stoddart.com.au

www.stoddart.co.nz