

Conveyor Toaster W.CVT.D.10 / W.CVT.D.15



Product Information:

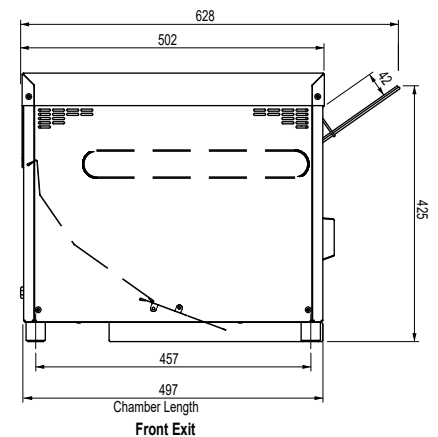
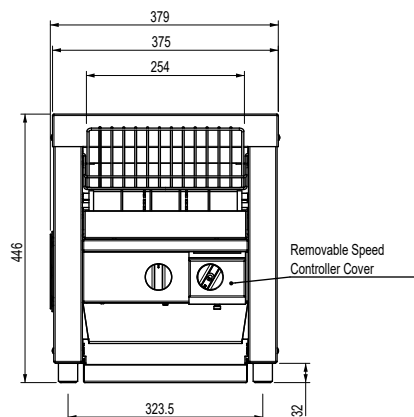
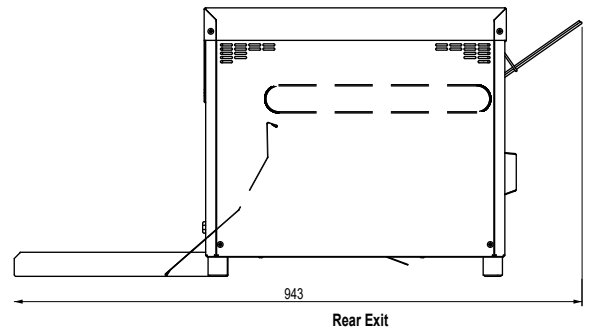
- 254mm wide conveyor belt, ideal for sliced bread
- Top and/or bottom element control via 3 position selector
- Ability to operate as either a front or rear exiting unit
- Variable speed belt control
- Tamper proof cover for speed controller
- Robust stainless steel construction
- Available in 10/15 Amp models
- Capacity of up to 300 slices of toast/hour on 10 amp unit*
- Capacity of up to 500 slices of toast/hour on 15 amp unit*

Specifications:

Model W.CVT.D.10
Height 446mm
Width 379mm
Depth 628mm
Belt Width 254mm
Power 240VAC / 50Hz / 2.1kW
 (10A plug & lead fitted)

Model W.CVT.D.15
Height 446mm
Width 379mm
Depth 628mm
Belt Width 254mm
Power 240VAC / 50Hz / 3.3kW
 (15A plug & lead fitted)

*Results may vary due to bread types



Due to continuous product research and development, the information contained herein is subject to change without notice.

Revision: D - 15/07/2022 - 02

www.stoddart.com.au

www.stoddart.co.nz