

Salamander W.GTSQI15

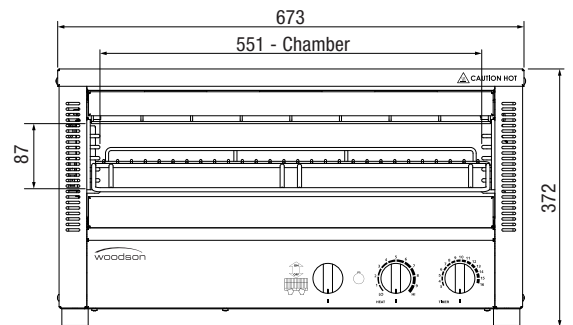
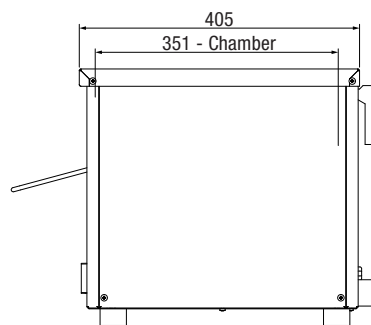
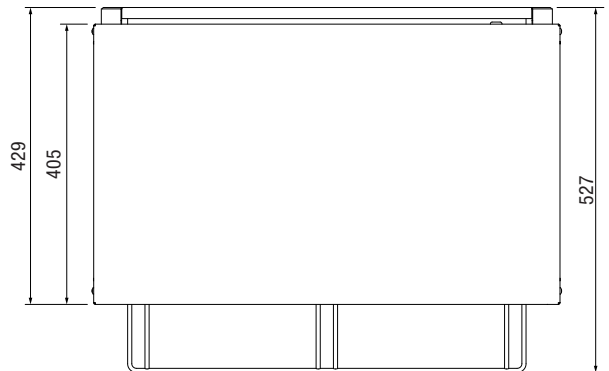


Product Information:

- Energy efficient 'instant' heat, ceramic coated glass infrared elements
- Fast, exceptionally even grilling and toasting
- 2 operation modes - timer or simple "in is on" mode that uses a rack activated toggle switch (All power to top elements only)
- Multiple position slides and rack for safer loading
- Easy to clean removable crumb tray
- Stainless steel construction
- 551 x 351 x 87mm internal opening
- Includes wall mount brackets as standard

Specifications:

Model	W.GTSQI.15
Height	372mm
Width	673mm
Depth	527mm
Power	3.36kW
	15A plug & lead fitted



Due to continuous product research and development, the information contained herein is subject to change without notice.

Revision: B - 25/05/2022 - 01

www.stoddart.com.au

www.stoddart.co.nz