

# Idea 40



10 editable programs



Smart sensor

## Adaptable and complete

A chamber vacuum machines line made entirely of stainless steel, including the bodywork and the vacuum chamber. They are characterized by a fully automatic packaging cycle and a digital control panel equipped with a microprocessor and 10 editable programs.

## Idea 40 is ideal for:



Restaurants



Pastry shops



Butchers' shops



Pastry shops



Cafés

## Packing methods



Sealing only



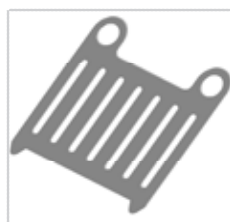
Vacuum



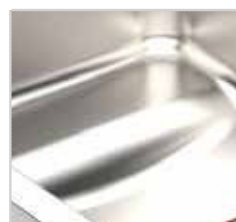
External vacuum



**Accessibility**  
Opening system with support rod



**Easy vacuum**  
It is possible to vacuum pack outside the vacuum chamber



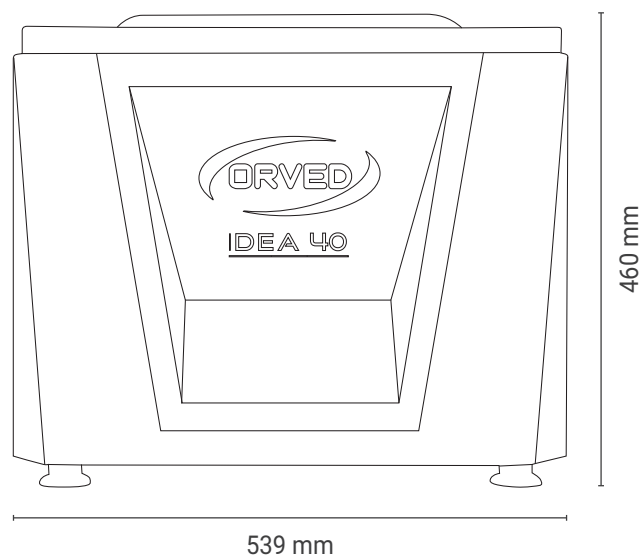
**Hard-wearing vacuum chamber**  
Made in a single piece without weldings and rounded corners



**Digital panel**  
5" waterproof and scratch-resistant digital control panel

### Technical data sheets

- > Bodywork: stainless steel
- > Size: 539x598x460h mm
- > Chamber size: 441x449x170h mm
- > Weight: 61 kg
- > Power grid voltage: 230V 50/60Hz
- > Max power absorption: DVP 16mc/h - 800W  
BUSCH 20mc/h - 1200W
- > Sealing bars: 410 mm
- > Vacuum pump: 16 mc/h - 20mc/h
- > Max bag size: 400 mm



### Standard equipment



Digital panel



Smart vacuum sensor



Editable programs



H<sub>2</sub>out



Easy included



Vacuum in rigid containers

### Matching accessories



Smooth vacuum bags



Channelled vacuum bags



Cook&Chill vacuum bags



Cooking vacuum bags



Carriage



Conserbox containers



Tubo di aspirazione esterna



Inclined shelf for liquid products