

PIZZA PREP TABLE REFRIGERATORS



Optional
ESL3883 / ESL3884



**Single Door Refrigerated
Pizza Table with Drawers**

EPF3490

Optional
ESL3883 / ESL3884



Two Door Refrigerated Pizza Table

EPF3495

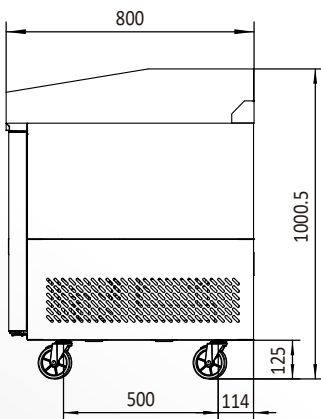


FEATURES

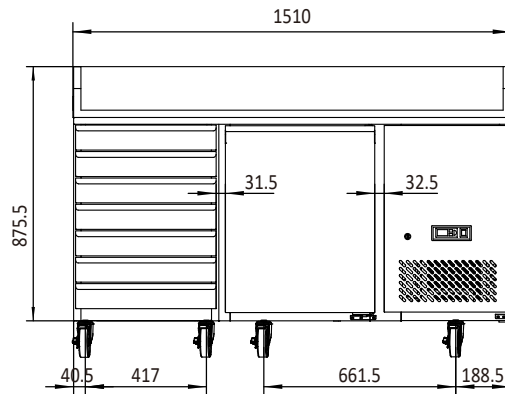
- Stainless steel interior and exterior with galvanised back panel
- Gas: R134A for Fridges
- Insulation Foam: C5H10,ODP, Zero emissions
- 43°C ambient working temperature
- Castors as standard
- All European parts, Aspera compressor, EBM fan motor
- Carel or Dixell digital controller
- Fan-forced cooling
- Can fit in ESL3884 / ESL3883 (optional)
- Allow 100 mm clearance for air ventilation TABLE
- Fits 600mm x 400mm racks and trays (not included)



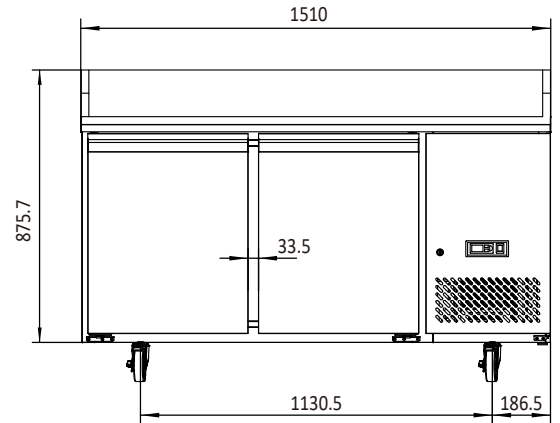
side view



EPF3490



EPF3495



| INFORMATION | EPF3490 | EPF3495 |
|--------------------------|----------------------------|----------------------------|
| Capacity | 180L | 300L |
| Power | 330W | 330W |
| Voltage | 220~240V/50Hz | 220~240V/50Hz |
| Working Temp | -2°C~+8°C | -2°C~+8°C |
| Ambient Temp | 43°C | 43°C |
| Dimensions(mm) | W1510 x D800 x H1000,246kg | W1510 x D800 x H1000,209kg |
| Packaging Dimensions(mm) | W1564 x D854 x H1051,315kg | W1564 x D854 x H1051,275kg |



2 YEARS WARRANTY ON ALL PARTS AND LABOUR
EXTRA 2 YEARS WARRANTY ON PARTS
WHEN YOU REGISTER WITH US ONLINE



* All prices are EX-GST