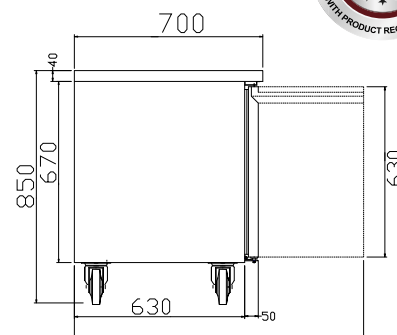
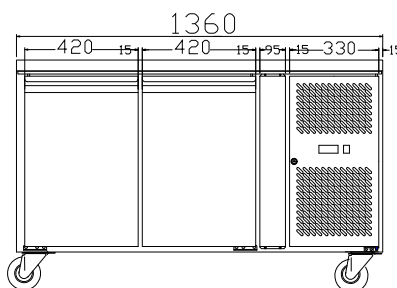


S/S GN WORKBENCH FRIDGES & FREEZERS

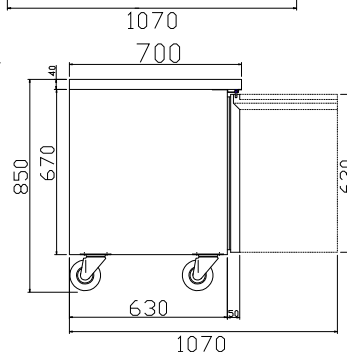
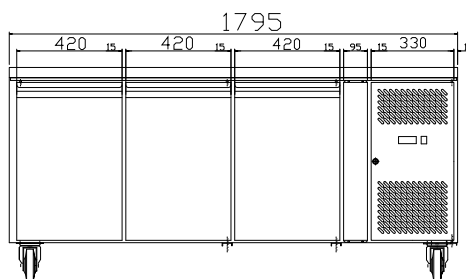
- Stainless steel interior & exterior
- Aspera or Zanussi compressors
- German EBM-Pabst fans
- Italian (Dixell) digital temp. controls & read-out
- One level of shelving plus floor
- Solid Door fridge Ambient 43° C & 40% RH
- Solid Door freezer Ambient 38° C & 40% RH
- Glass Door fridge Ambient 35° C & 60% RH
- Fan-forced evaporator cooling
- Auto defrost
- Self evaporating drainage
- CFC & HCFC free insulation
- Internal corners constructed for easy cleaning
- Extremely efficient self-closing doors
- Heated door frame on freezers
- Castors
- Designed to accommodate GN pans
- Optional splashback units available, contact your local rep for details
- Optional full stainless steel drawers with Italian Compex door runners



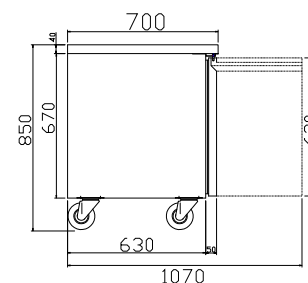
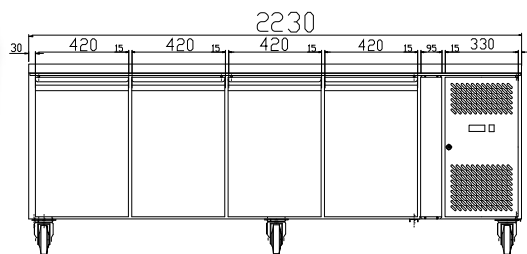
GN2100TN / GN2100BT



GN3100TN / GN3100BT



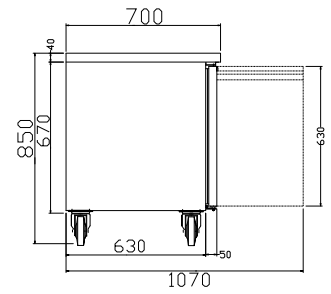
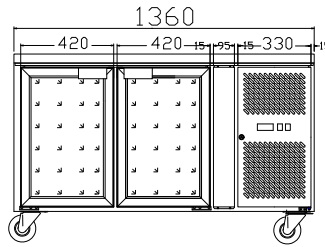
GN4100TN



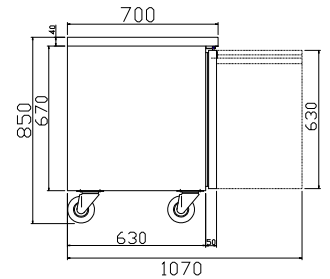
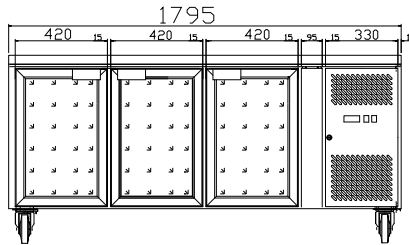
Code	Litre	Doors	Dimensions (WxDxH mm)	Weight (kg)	Temperature Range	Ambient/ RH%	Voltage	Power (W/A)
Solid s/s door fridges								
GN2100TN	313.5	2	1360x700x850	98	-2 to +8	43/40	240	350/10
GN3100TN	464.6	3	1795x700x850	134	-2 to +8	43/40	240	350/10
GN4100TN	615.8	4	2230x700x850	153	-2 to +8	43/40	240	350/10
Solid s/s door freezers								
GN2100BT	313.5	2	1360x700x850	98	-18 to -22	38/40	240	390/10
GN3100BT	464.6	3	1795x700x850	134	-18 to -22	38/40	240	430/10

Allow 100mm clearance for installation, all vents must be left clear. Prices and specifications are subject to change without notice. Pictures are for illustrative purpose and final product may differ

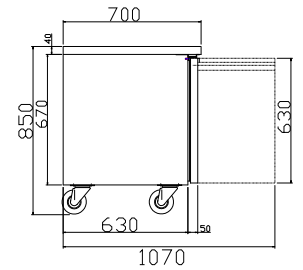
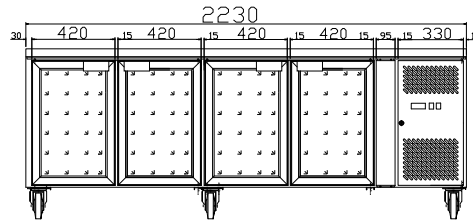
GN2100TNG



GN3100TNG



GN4100TNG



Optional Splashback Top

Optional 2 Drawer

Optional 3 Drawer

Code	Litre	Doors	Dimensions (WxDxH mm)	Weight (kg)	Temperature Range	Ambient/ RH%	Voltage	Power (W/A)
Glass door fridges with LED lighting inside								
GN2100TNG	313.5	2	1360x700x850	98	-2 to +8	35/60	240	350/10
GN3100TNG	464.6	3	1795x700x850	134	-2 to +8	35/60	240	350/10
GN4100TNG	615.8	4	2230x700x850	153	-2 to +8	35/60	240	350/10

Optional Splashback Top

GN2100-WBB

GN3100-WBB

GN4100-WBB

Optional Drawers for solid door units

GN-2DRAWER

GN-3DRAWER

Allow 100mm clearance for installation, all vents must be left clear. Prices and specifications are subject to change without notice. Pictures are for illustrative purpose and final product may differ