



# 800 SERIES FRYER

## 3 baskets

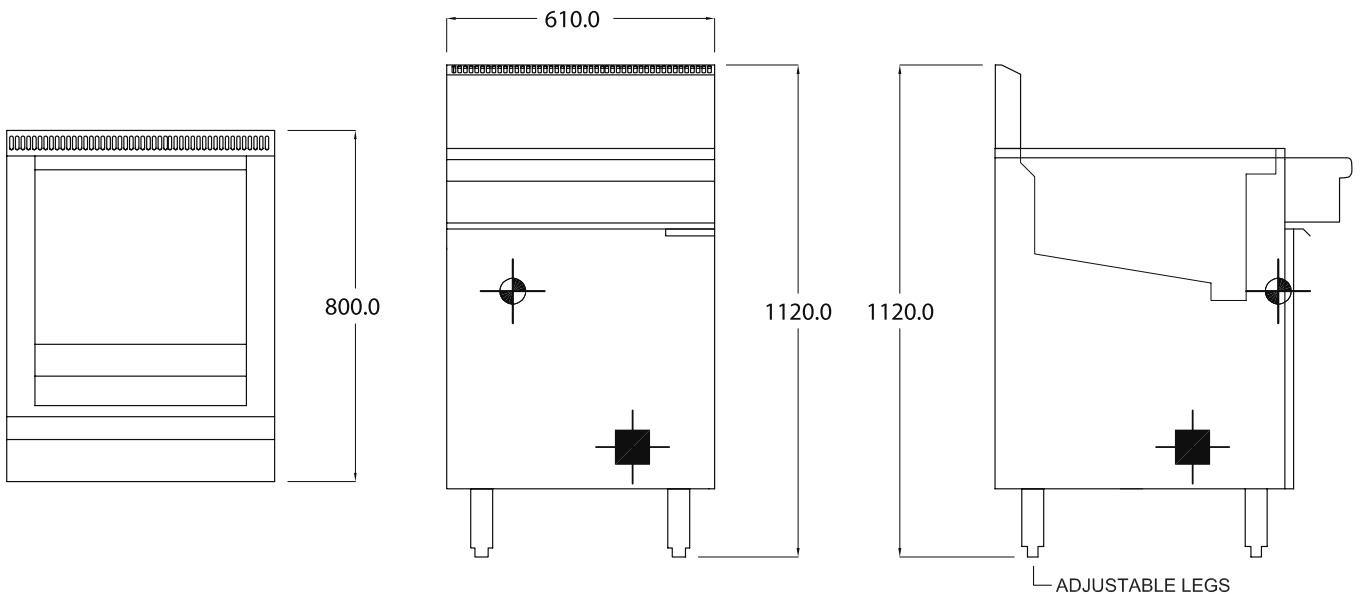
### FRG24L - Gas

- Flat bottom fryer for maximum food type flexibility
- Unique pan design maximises heat transfer to minimise energy use
- Stainless steel baskets
- Stainless steel pan for easy cleaning
- Front cool zone with crumb arrester for longer oil life
- Cover/joiner strips available for multi-unit installations
- Line-up nosing

#### Other options

Night lid

Cover/joiner strips



### FRG24L 3 baskets

#### SPECIFICATIONS

<b>Dimensions (WxDxH)</b>	610 x 800 x 1120 mm
<b>Working height</b>	900 mm (±20 mm)
<b>Pan Size (WxDxH)</b>	483 x 475 x 203 mm
<b>Capacity</b>	46 L

■ 3/4" BSP Gas Connection

⊙ Drain

<b>Gas Connection</b>	3/4" BSP
<b>Rating</b>	80 MJ
<b>Weight</b>	90 kg
<b>Packed</b>	0.6 m <sup>3</sup>

Australia's premier food service equipment manufacturer

[middleby.com.au](http://middleby.com.au)

211-217 Woodpark Road, Smithfield NSW 2164  
1800 013 123 | +61 2 9604 7333

