

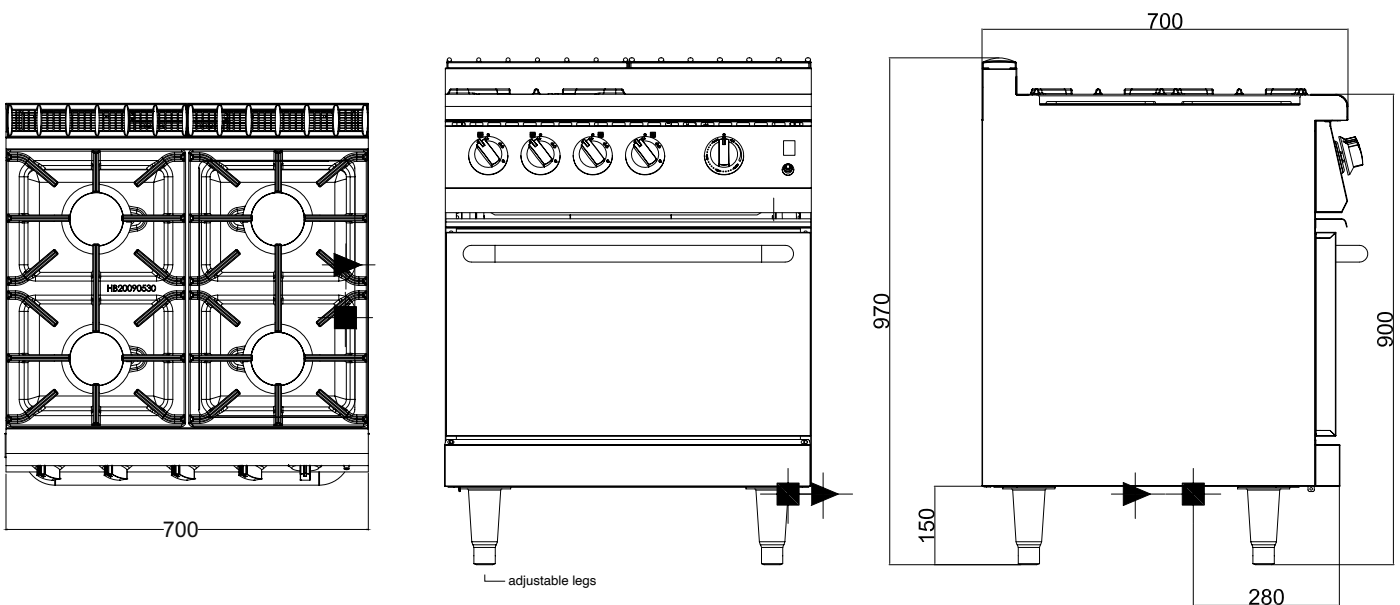


700 SERIES GOURMET RANGE

530 mm Fan Forced Gas Oven

GR/G710FF – Gas

- 3x high performance 18.5 MJ burners & 1x 12.9 MJ simmer burner
- Meets NSW Department of Education requirements
- Fully insulated gastronorm compatible oven
- Heavy duty, removable cast iron trivets and stainless steel spill pan
- Flame failure and standing pilots



GR/G710FF

SPECIFICATIONS

| | |
|---------------------------|--------------------|
| Dimensions (WxDxH) | 700 x 700 x 970 mm |
| Working height | 900 mm (±20 mm) |
| Oven Size (WxDxH) | 530 x 500 x 290 mm |
| Burners | 4 |

| | |
|----------------------------|--------------------|
| Gas Connection | 3/4" BSP |
| Electric Connection | 230 V / 10 Amp |
| Rating | 91.4 MJ / 0.5 kW |
| Weight | 135 kg |
| Packed | 0.7 m ³ |

Australia's premier food service
equipment manufacturer

middleby.com.au

211-217 Woodpark Road, Smithfield NSW 2164
1800 013 123 | +61 2 9604 7333

 **MIDDLEBY AUSTRALIA**

