



# 800 SERIES RANGES

## 500 mm Gas Oven

### PF24G20 – Gas

- 20 mm thick Mild steel plate assists with heat retention and even cooking
- Constant pilot flame as standard, maximises operating and energy efficiency
- Pilot flame failure on open burners, flame failure to oven burner
- Stainless steel fascia and sides, spill zone and drip trays for ease of cleaning
- Flexible modular cooktop design enables many combinations of Burners, Griddle and BBQ
- Static gas oven in gastronorm compatible sizes
- Ovens are fully insulated vitreous enamel for even heat and easy cleaning
- Heavy duty welded steel body for rigidity and durability

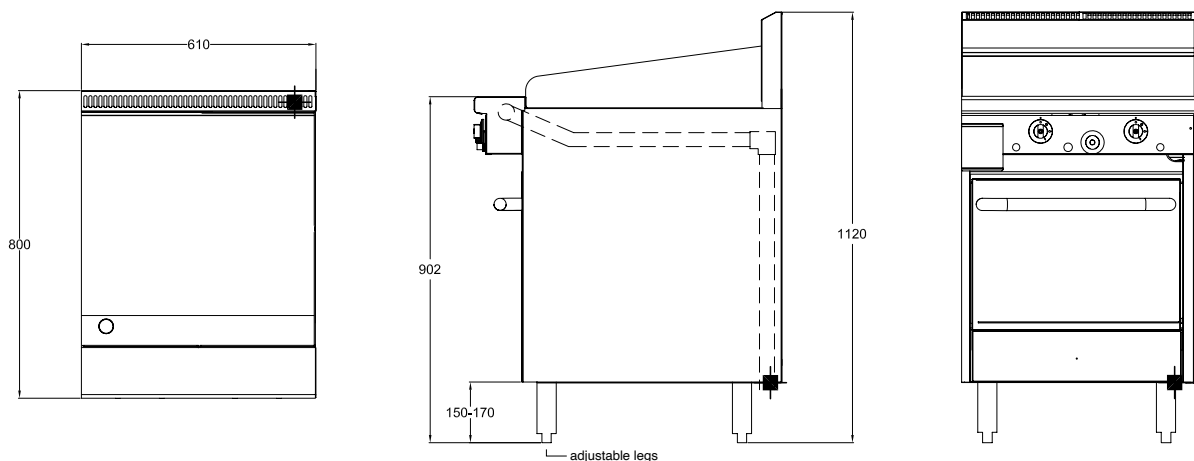
#### Other options

Gas fan forced oven

Electric static or electric fan forced oven with gas cooktop

Glass door to oven

Castors



### PF24G20 oven & griddle options

#### SPECIFICATIONS

|                           |                     |
|---------------------------|---------------------|
| <b>Dimensions (WxDxH)</b> | 610 x 800 x 1120 mm |
| <b>Working height</b>     | 914 mm              |
| <b>Oven Size (WxDxH)</b>  | 500 x 560 x 355 mm  |
| <b>Griddle Size (WxH)</b> | 610 x 20 mm         |

3/4" BSP Gas Connection

|                       |                    |
|-----------------------|--------------------|
| <b>Weight</b>         | 180 kg             |
| <b>Packed</b>         | 0.7 m <sup>3</sup> |
| <b>Gas Connection</b> | 3/4" BSP           |
| <b>Rating</b>         | 60 MJ              |

Australia's premier food service  
equipment manufacturer

[middleby.com.au](http://middleby.com.au)

211-217 Woodpark Road, Smithfield NSW 2164  
1800 013 123 | +61 2 9604 7333

 **MIDDLEBY AUSTRALIA**

