

# BACK BAR



Fan cooling



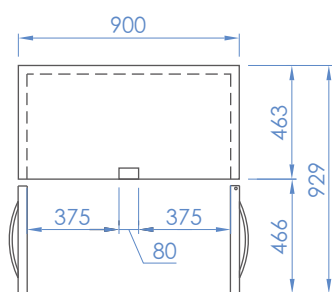
Digital



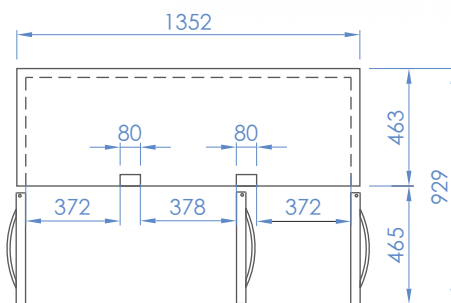
LED lamp

SB9-2G

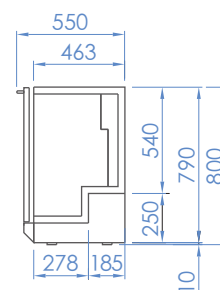
SB13-3G



SB9-2G



SB13-3G



<800mm>

MODEL	SB9-2G	SB13-3G
Classification	Refrigerator	
Cabinet Dimension (WxDxH mm)	900 x 550 x 800	1352 x 550 x 800
Capacity (ℓ)	190 / 165	300 / 261
Inner Temperature (°C)	1~ 8	
Ambient Temperature (°C)	38	
Refrigerant	R-134a	
Insulation Type	Polyurethane / Cyclopentane + CFC Free	
Amps (A)	2.5	3.5
Voltage (V/Hz/Ph)	240 / 50 / 1	
Weight (Kg)	75	100
Door Type	Swing Door	
Number of Doors	2	3
Compressor (HP)	1/4	1/3
Power (W)	190	330
Number of Shelves	2	3
Power Plug	10A	10A

GLASS DOOR MERCHANDISER

REACH-IN

UNDER COUNTER

BAR EQUIPMENT

ICE MAKER

DISPLAY CASE

SPECIAL MODEL

BAKING LINE