



# B+S BLACK SERIES: BT-SB4

## Four Burner Boiling Top

Project: \_\_\_\_\_ Item: \_\_\_\_\_



BT-SB4

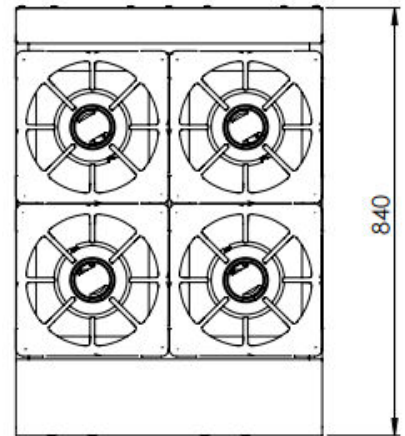
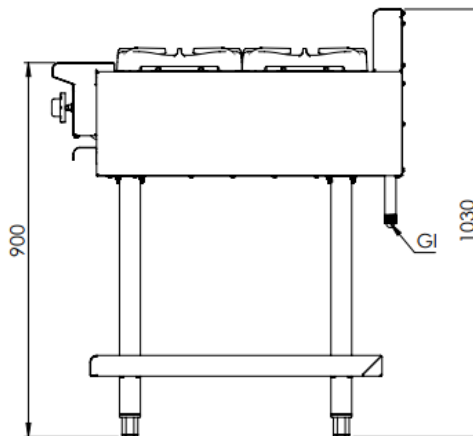
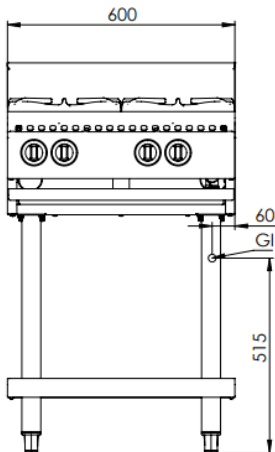
### Standard Features:

- AISI 304 Grade Stainless Steel
- Heavy duty complete stainless steel frame
- 31MJ black enameled Italian made burner
- Heavy duty Italian made vitreous enameled trivets
- Removable pressed top spillage tray for easy cleaning
- Removable heavy duty 2 piece burner for easy cleaning
- Multi-setting gas valve as standard allowing for greater regulation of flame setting
- Easy access to all components for servicing and adjustment
- Flame failure fitted as standard
- 24 Month Warranty

### Options:

- Natural or LP Gas
- Pilot take off
- Non-swivel rear castors

### Specifications:



| MODEL  | LENGTH (mm) | DEPTH (mm) | HEIGHT (mm) | GAS CONSUMPTION (Mj/h) |     |
|--------|-------------|------------|-------------|------------------------|-----|
|        |             |            |             | NG                     | LPG |
| BT-SB4 | 600         | 840        | 1030        | 124                    | 100 |

### Connections:

| GAS (GI) (BSP) | SUPPLY PRESSURE (kPa) |     |
|----------------|-----------------------|-----|
|                | NG                    | LPG |
| 3/4" (M)       | 1.0                   | 2.6 |

- Regulator is included in the unit
- **Must** be installed by an authorised installer in accordance to **AS/NZS5601.01**

Due to ongoing Product Development, Product Improvement and Research, B+S Commercial Kitchens reserves the right to alter specification without notice.

Approval Number: GMK 10686



B+S Commercial Kitchens  
57 Plateau Road Reservoir VIC 3073 Australia | +61 3 9469 4754  
info@bscommercialkitchens.com | www.bscommercialkitchens.com

