



B+S BLACK SERIES: CBR-12

Char Broiler 1200mm

Project: _____ Item: _____



CBR-12

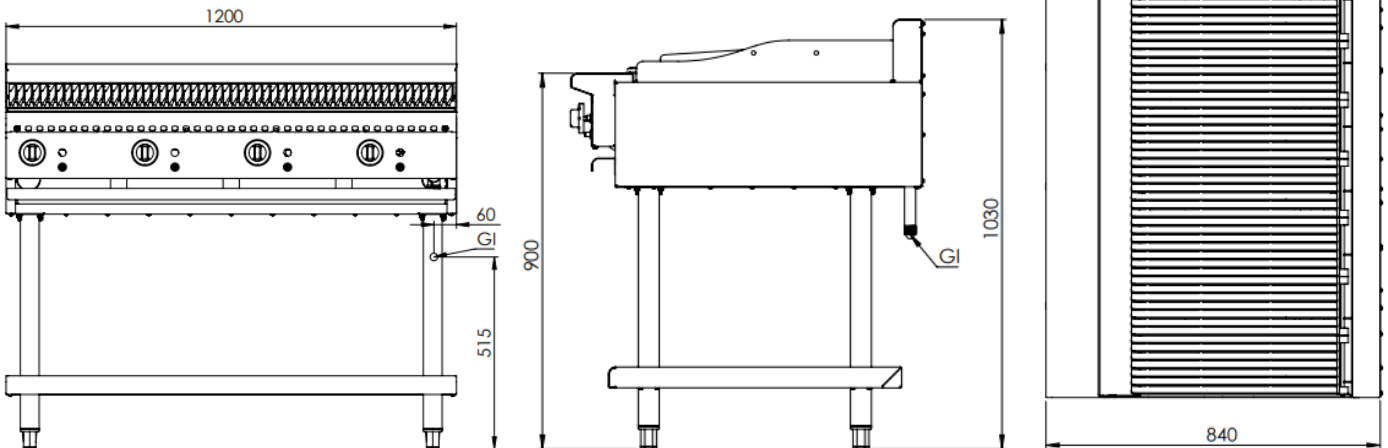
Standard Features:

- AISI 304 Grade Stainless Steel
- Heavy duty complete stainless steel frame
- 34MJ stainless steel burner per 300mm section
- Heavy duty cast iron J-Grates & Radiant hoods
- Reversible grates allow for an inclined or flat cooking surface
- Multi-setting gas valve as standard allowing for greater regulation of flame setting
- Easy access to all components for servicing and adjustment
- Easy to clean fat spillage trays
- Flame failure fitted as standard
- 24 Month Warranty

Options:

- Natural or LP Gas
- Non-swivel rear castors

Specifications:



| MODEL | LENGTH (mm) | DEPTH (mm) | HEIGHT (mm) | GAS CONSUMPTION (Mj/h) | |
|--------|-------------|------------|-------------|------------------------|-----|
| | | | | NG | LPG |
| CBR-12 | 1200 | 840 | 1030 | 136 | 120 |

Connections:

| GAS (GI) (BSP) | SUPPLY PRESSURE (kPa) | |
|----------------|-----------------------|-----|
| | NG | LPG |
| 3/4" (M) | 1.0 | 2.6 |

- Regulator is included in the unit
- **Must** be installed by an authorised installer in accordance to **AS/NZS5601.01**

Due to ongoing Product Development, Product Improvement and Research, B+S Commercial Kitchens reserves the right to alter specification without notice.

Approval Number: GMK 10686



B+S Commercial Kitchens
 57 Plateau Road Reservoir VIC 3073 Australia | +61 3 9469 4754
 info@bscommercialkitchens.com | www.bscommercialkitchens.com

