



800 SERIES GRIDDLE PLATE

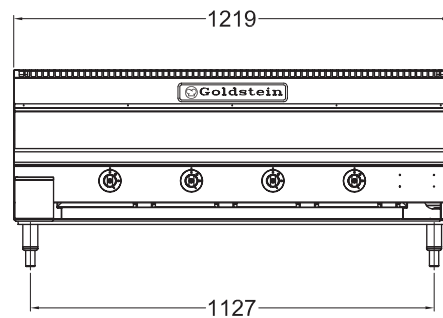
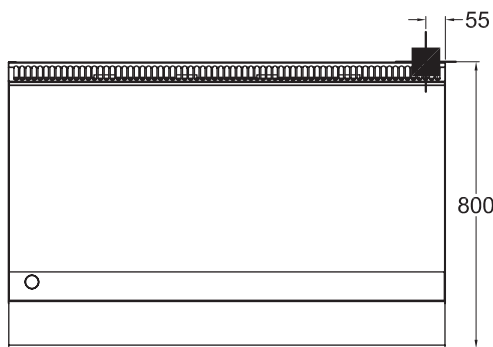
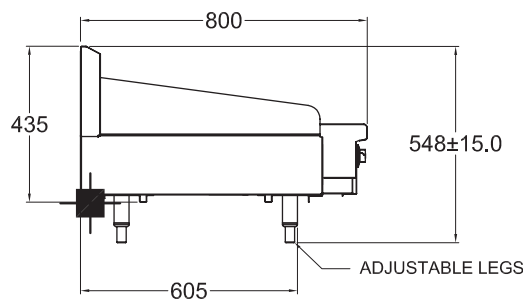
20 mm plate

GPGDB48 - Gas

- 20 mm thick Mild Steel Plate maximizes greater heat retention for consistent cooking
- Front grease trough, generous chute and catcher
- Stainless Steel fascia and sides, spill zone and grease can for ease of cleaning

Other options

Machined steel or ribbed plates



GPGDB48

SPECIFICATIONS

Dimensions (WxDxH)	1220 x 800 x 550 mm
Plate size (WxDxH)	1220 x 520 x 20 mm
Gas connection	3/4" BSP

3/4" BSP Gas Connection

Rating	80 Mj
Weight	220 kg
Packed	0.5 m ³

Australia's premier food service equipment manufacturer

middleby.com.au

211-217 Woodpark Road, Smithfield NSW 2164
1800 013 123 | +61 2 9604 7333

 **MIDDLEBY AUSTRALIA**

