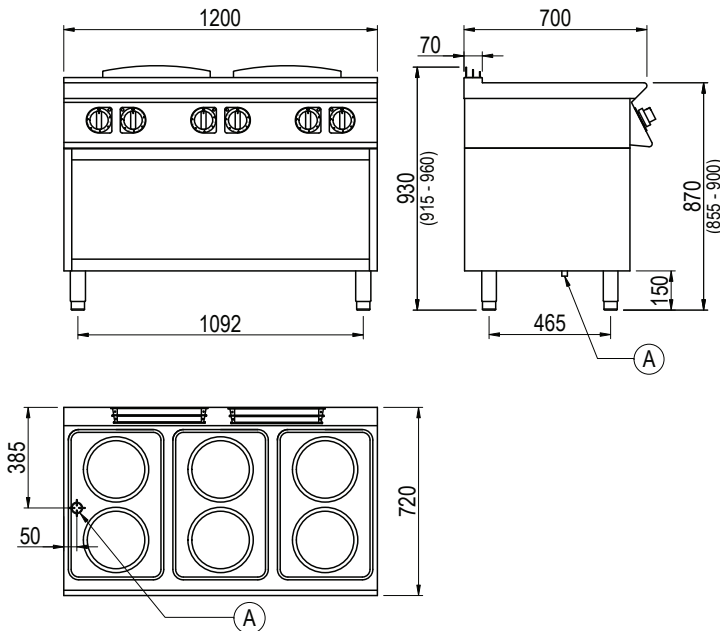




Product Information:

- Class leading, European style, professional quality and reliability since 1963
- 700 series, electric boiling top with round hot plates (6 x 2.8kW)
- Temperature regulation via 6 position selector
- Indicator lights to monitor the correct operation of the appliance
- Robust 304 grade stainless steel construction with rounded corners for improved cleaning
- Hermetically sealed, pressed work surface with raised edges to protect from overflow
- Open base with optional doors available (SPGI.2016437)
- Height adjustable stainless steel feet for a 900mm working height
- 24-month warranty

General Drawing:



Specifications:

Model	CE76TGT
W x D x H (mm)	1200 x 720 x 930
Weight	95kg
Hot Plates	6 x Ø220mm
Packed Dimensions (mm)	1250 x 825 x 1200
Packed Weight (mm)	108kg
Electrical Connection	3Ø + N + E 415VAC / 50Hz / 16.8kW

Legend:

A Electrical Connection

