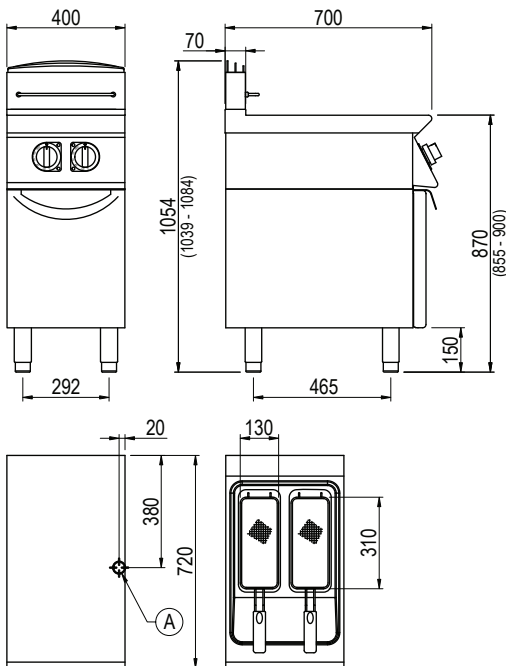




Product Information:

- Class leading, European style, professional quality and reliability since 1963
- 700 series, electric 2 x 8 litre, split pan fryer (15kW)
- Immersed heating elements with Hi-limit temperature protection and manual reset. Rotating mechanism to facilitate easy cleaning inside the tank.
- Temperature regulation via thermostat (100°C – 195°C)
- Thermostat bulbs protected against accidental impact
- Cold zone on the bottom of the tank to collect residues and prevent tainting of oil
- 2x 310x345mm single tanks with oil drainage via ball valve into integrated oil capture drawer
- Indicator lights to monitor the correct operation of the appliance
- Robust 304 grade stainless steel construction with rounded corners for improved cleaning
- Pressed top work surface with raised edges to protect from overflow
- Enclosed base with front access door
- Height adjustable stainless steel feet for a 900mm working height
- Supplied with removable mesh basket support, 2x 130x310x120mm twin baskets and lid
- 24-month warranty

General Drawing:



Specifications:

Model	FE7207T
W x D x H (mm)	400 x 720 x 1054
Weight	62kg
Oil Capacity	2 x 8L
Packed Dimensions (mm)	450 x 825 x 1200
Packed Weight (mm)	67kg
Electrical Connection	3Ø + N + E 415VAC / 50Hz / 15kW

Legend:

A Electrical Connection

