



# 800 SERIES CHAR BROILER

## RBA12L - Gas

- Heavy duty cast iron reversible grates provide greater control when cooking and energy efficiency
- Heavy duty fully welded steel body ensures rigidity and durability
- Stainless steel fascia and sides, spill zone and drip tray for ease of cleaning
- Pilot light standard maximising operating and energy efficiency
- Option of drop on griddle plate provides greater flexibility when cooking

### Other options

Stand or bench mounted

Without splash back

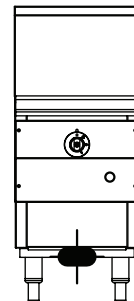
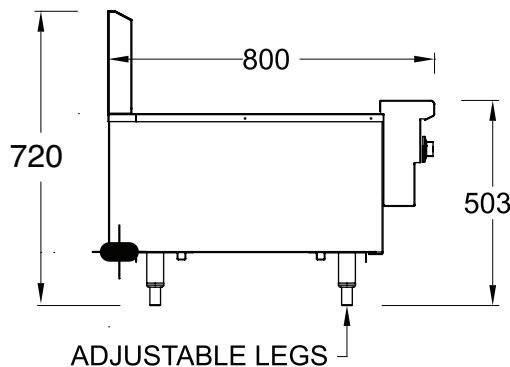
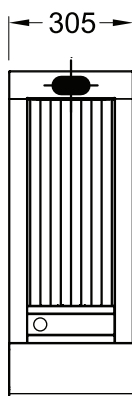
Drop-on griddles 230, 270 or 410mm wide



Units 9 & 10  
124-130 Auburn Street  
Wollongong

02 4226 9779  
info@kwikhe.com.au

kwikhe.com.au



## RBA12L

### SPECIFICATIONS

<b>Dimensions (WxDxH)</b>	305 x 800 x 720 mm
<b>Grill size (WxD)</b>	215 x 546 mm
<b>Gas connection</b>	1/2" BSP

1/2" BSP Gas Connection

<b>Rating</b>	37 MJ
<b>Weight</b>	48 kg
<b>Packed</b>	0.2 m <sup>3</sup>

Australia's premier food service equipment manufacturer

[middleby.com.au](http://middleby.com.au)

211-217 Woodpark Road, Smithfield NSW 2164  
1800 013 123 | +61 2 9604 7333

