



800 SERIES CHAR BROILER

RBA48L - Gas

- Heavy duty cast iron reversible grates provide greater control when cooking and energy efficiency
- Heavy duty fully welded steel body ensures rigidity and durability
- Stainless steel fascia and sides, spill zone and drip tray for ease of cleaning
- Pilot light standard maximising operating and energy efficiency
- Option of drop on griddle plate provides greater flexibility when cooking

Other options

Stand or bench mounted

Without splash back

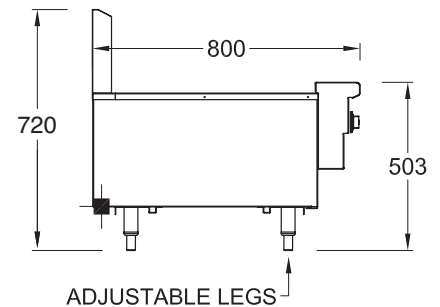
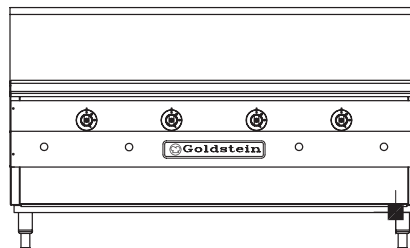
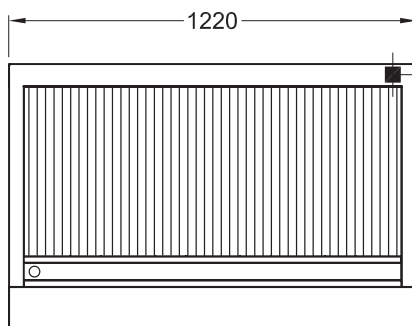
Drop-on griddles 230, 270 or 410mm wide

kwik
HOSPITALITY EQUIPMENT

Units 9 & 10
124-130 Auburn Street
Wollongong

02 4226 9779
info@kwikhe.com.au

kwikhe.com.au



RBA48L

SPECIFICATION

Dimensions (WxDxH)	1220 x 800 x 720 mm
Grill size (WxD)	1118 x 546 mm
Gas connection	3/4" BSP

3/4" BSP Gas Connection

Rating	148 MJ
Weight	180 kg
Packed	0.7 m ³

Australia's premier food service
equipment manufacturer

middleby.com.au

211-217 Woodpark Road, Smithfield NSW 2164
1800 013 123 | +61 2 9604 7333

 **MIDDLEBY AUSTRALIA**

