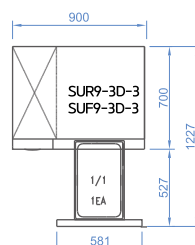
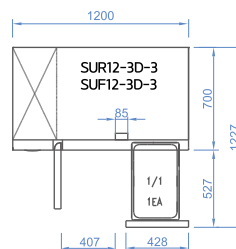


UNDER COUNTER Drawer

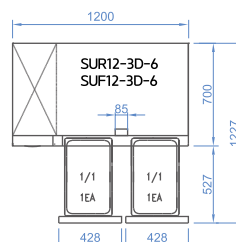
*SUR9-3D-3
*SUF9-3D-3



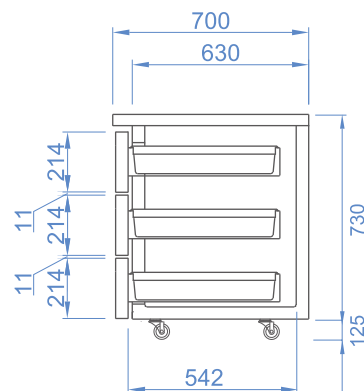
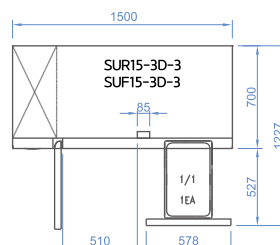
*SUR12-3D-3
*SUF12-3D-3



*SUR12-3D-6
*SUF12-3D-6



*SUR15-3D-3
*SUF15-3D-3



MODEL	SUR9-3D-3 SUF9-3D-3	SUR12-3D-3 SUF12-3D-3	SUR12-3D-6 SUF12-3D-6	SUR15-3D-3 SUF15-3D-3
Classification	Refrigerator / Freezer			
Cabinet Dimension (WxDxH mm)	900x 700 x 855	1200x 700 x 855	1200x 700 x 855	1500x 700 x 855
Capacity (ℓ)	179	280	280	395
Inner Temperature (°C)	-2~ 8 / -21 ~ -12			
Ambient Temperature (°C)	40 / 38			
Refrigerant	R-134a / R-134a	R-134a / R-404a	R-134a / R-404a	R-134a / R-404a
Insulation Type	Polyurethane / Cyclopentane + CFC Free			
Amps (A)	2.3/3	2.5/3.3	2.5/ 3.3	2.5 / 4.4
Voltage (V/Hz/Ph)	240 / 50 / 1			
Weight (Kg)	84	97	106	107
Power (W)	314/366	314/366	314/366	314/366
Number of Doors	0	1	0	1
Compressor (HP)	1/4 1/3	1/4 1/3	1/4 1/3	1/4 3/4
Number of Shelves	0	1	0	1
Power Plug	10A			



Fan cooling

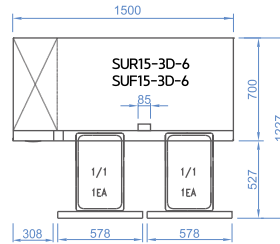


Digital

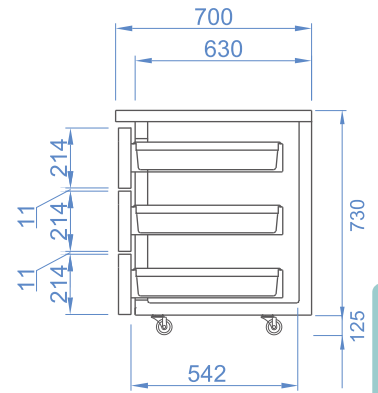
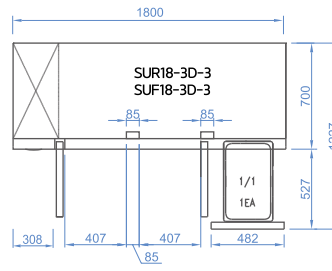


LED lamp

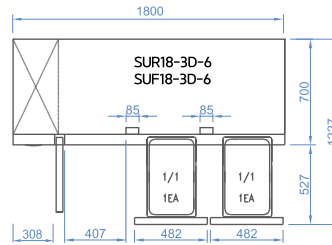
- * SUR15-3D-6
- * SUF15-3D-6



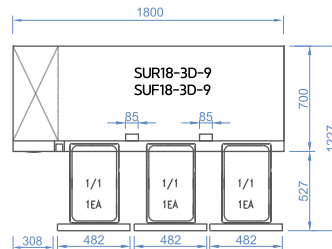
- * SUR18-3D-3
- * SUF18-3D-3



- * SUR18-3D-6
- * SUF18-3D-6



- * SUR18-3D-9
- * SUF18-3D-9



MODEL	SUR15-3D-6 SUF15-3D-6	SUR18-3D-3 SUF18-3D-3	SUR18-3D-6 SUF18-3D-6	SUR18-3D-9 SUF18-3D-9
Classification	Refrigerator / Freezer			
Cabinet Dimension (WxDxH mm)	1500x 700 x 855	1800x 700 x 855	1800x 700 x 855	1800x 700 x 855
Capacity (ℓ)	395	505	505	505
Inner Temperature (°C)	-2~ 8 / -21 ~ -12			
Ambient Temperature (°C)	40 / 38			
Refrigerant	R-134a / R-404a			
Insulation Type	Polyurethane / Cyclopentane + CFC Free			
Amps (A)	2.5/4.4	3/4.6	3/4.6	3/4.6
Voltage (V/Hz/Ph)	240 / 50 / 1			
Weight (Kg)	116	126	135	144
Power (W)	314/366	366/643	366/643	366/643
Number of Doors	0	2	1	0
Compressor (HP)	1/4 3/4	1/3 3/4	1/3 3/4	1/3 3/4
Number of Shelves	0	2	1	0
Power Plug	10A			

GLASS DOOR MERCHANDISER

REACH-IN

UNDER COUNTER

BAR EQUIPMENT

ICE MAKER

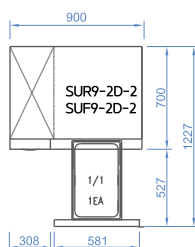
DISPLAY CASE

SPECIAL MODEL

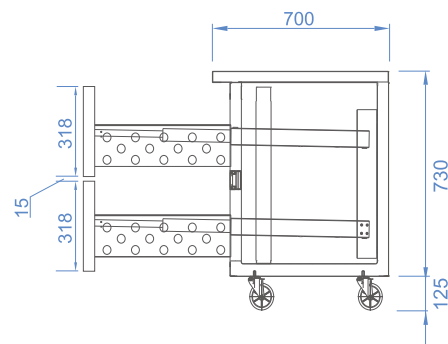
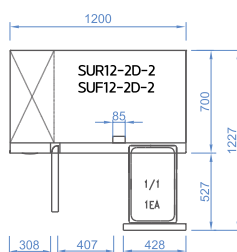
BAKING LINE

UNDER COUNTER Drawer

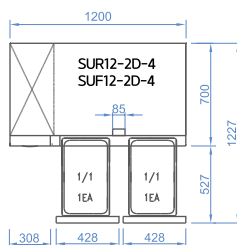
- * SUR9-2D-2
- * SUF9-2D-2



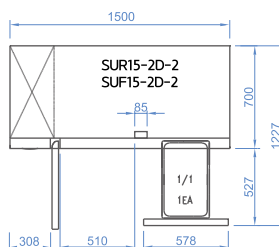
- * SUR12-2D-2
- * SUF12-2D-2



- * SUR12-2D-4
- * SUF12-2D-4



- * SUR15-2D-2
- * SUF15-2D-2



MODEL	SUR9-2D-2 SUF9-2D-2	SUR12-2D-2 SUF12-2D-2	SUR12-2D-4 SUF12-2D-4	SUR15-2D-2 SUF15-2D-2
Classification	Refrigerator / Freezer			
Cabinet Dimension (WxDxH mm)	900x 700 x 855	1200x 700 x 855	1200x 700 x 855	1500x 700 x 855
Capacity (ℓ)	179	280	280	395
Inner Temperature (°C)	-2~ 8 / -21 ~ -12			
Ambient Temperature (°C)	40 / 38			
Refrigerant	R-134a / R-134a	R-134a / R-404a	R-134a / R-404a	R-134a / R-404a
Insulation Type	Polyurethane / Cyclopentane + CFC Free			
Amps (A)	2.3/3	2.5/3.3	2.5/ 3.3	2.5 / 4.4
Voltage (V/Hz/Ph)	240 / 50 / 1			
Weight (Kg)	84	97	106	107
Power (W)	314/366	314/366	314/366	314/366
Number of Doors	0	1	0	1
Compressor (HP)	1/4 1/3	1/4 1/3	1/4 1/3	1/4 3/4
Number of Shelves	0	1	0	1
Power Plug	10A			



Fan cooling

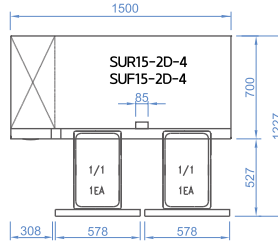


Digital

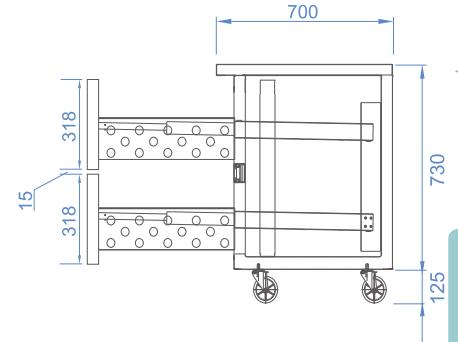
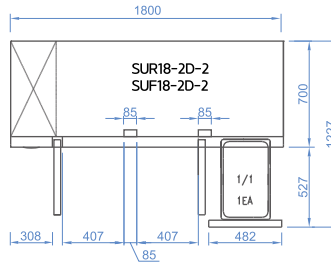


LED lamp

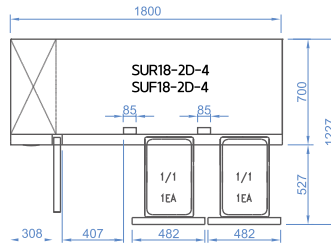
- * SUR15-2D-4
- * SUF15-2D-4



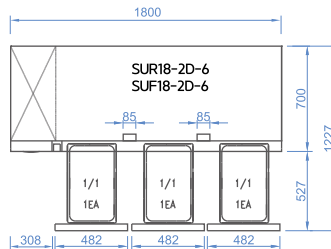
- * SUR18-2D-2
- * SUF18-2D-2



- * SUR18-2D-4
- * SUF18-2D-4



- * SUR18-2D-6
- * SUF18-2D-6



MODEL	SUR15-2D-4 SUF15-2D-4	SUR18-2D-2 SUF18-2D-2	SUR18-2D-4 SUF18-2D-4	SUR18-2D-6 SUF18-2D-6
Classification	Refrigerator / Freezer			
Cabinet Dimension (WxDxH mm)	1500x 700 x 855	1800x 700 x 855	1800x 700 x 855	1800x 700 x 855
Capacity (ℓ)	395	505	505	505
Inner Temperature (°C)	-2~ 8 / -21 ~ -12			
Ambient Temperature (°C)	40 / 38			
Refrigerant	R-134a / R-404a			
Insulation Type	Polyurethane / Cyclopentane + CFC Free			
Amps (A)	2.5/4.4	3/4.6	3/4.6	3/4.6
Voltage (V/Hz/Ph)	240 / 50 / 1			
Weight (Kg)	116	126	135	144
Power (W)	314/540	366/643	366/643	366/643
Number of Doors	0	2	1	0
Compressor (HP)	1/4 3/4	1/3 3/4	1/3 3/4	1/3 3/4
Number of Shelves	0	2	1	0
Power Plug	10A			

GLASS DOOR MERCHANDISER

REACH-IN

UNDER COUNTER

BAR EQUIPMENT

ICE MAKER

DISPLAY CASE

SPECIAL MODEL

BAKING LINE